



Premiere product 2024

OEI AX_Series

One system, a diversity of functions



We are OE Industry

We design and manufacture lighting systems for automotive and eMobility.

We help dozens of responsible vehicle manufacturers and other enthusiasts of safe transportation. To make their projects gain technological value in the market.

By doing so, we fill a niche in the mobility market. And we provide customers with safe, state-of-art solutions.

Design → Prototype → Production

A manufacturer who has been a supplier for years. Therefore, we understand your expectations perfectly and support – as constructively as possible – your possibilities. Meet a partner who will take full responsibility for your headlight.

→ We will design it exactly the way you need it.

→ let you get to know it on a prototype before making a final decision.

→ and eventually produce it! We are now the team responsible for the design and monitoring the production! So you have 100% conformity of the project and prototype with the final shape and functions of the headlight.

→ we will deliver the entire series to you on time and at the place indicated.

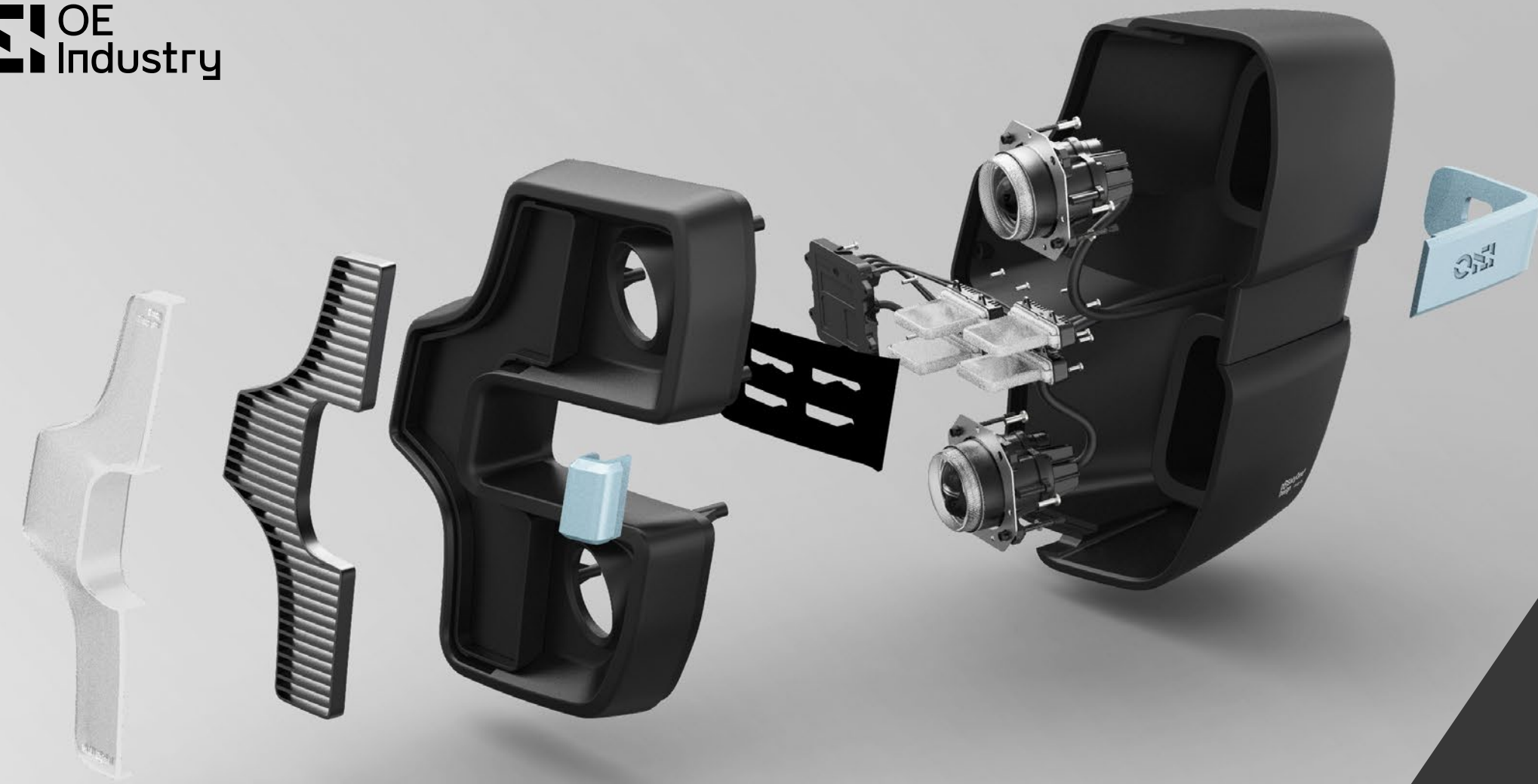
Need details?

1. / DESIGN – your headlight has been designed by our interdisciplinary design team at OEI Design LAB. The unique and stunning in every accent. Attracting attention and skilfully keeping it.

2. / PROTOTYPE - before you order – see yourself. Before you install – meet it. Let your purchase decision be informed, aware and unleash the full potential of your brand. At OEI, prototyping is a natural step of work. This is how we understand the new era of services for eMobility.

3. / PRODUCTION – a headlight manufactured under the supervision of the OE Industry is a guarantee of a standard that exceeds your expectations. Even those from the future.





One light module. Many forms of expression.

It is said that lights are the eyes of a vehicle. They attract and hold attention. They are an element that can emphasize a brand's DNA more intensively than others.

That's why at OE Industry we design headlights in a very specific way. Consciously. While performing an important utilitarian function at the same time, they are supposed to bring out the full character of the entire vehicle. Because light is an art. And art is emotion.

At OE Industry, as early as the design concept stage of modular headlights, we think about their future display inside vehicles. We start each process with:

- analyzing trends in vehicle design,
- observation of the vehicle context,
- we draw on feedback from users.

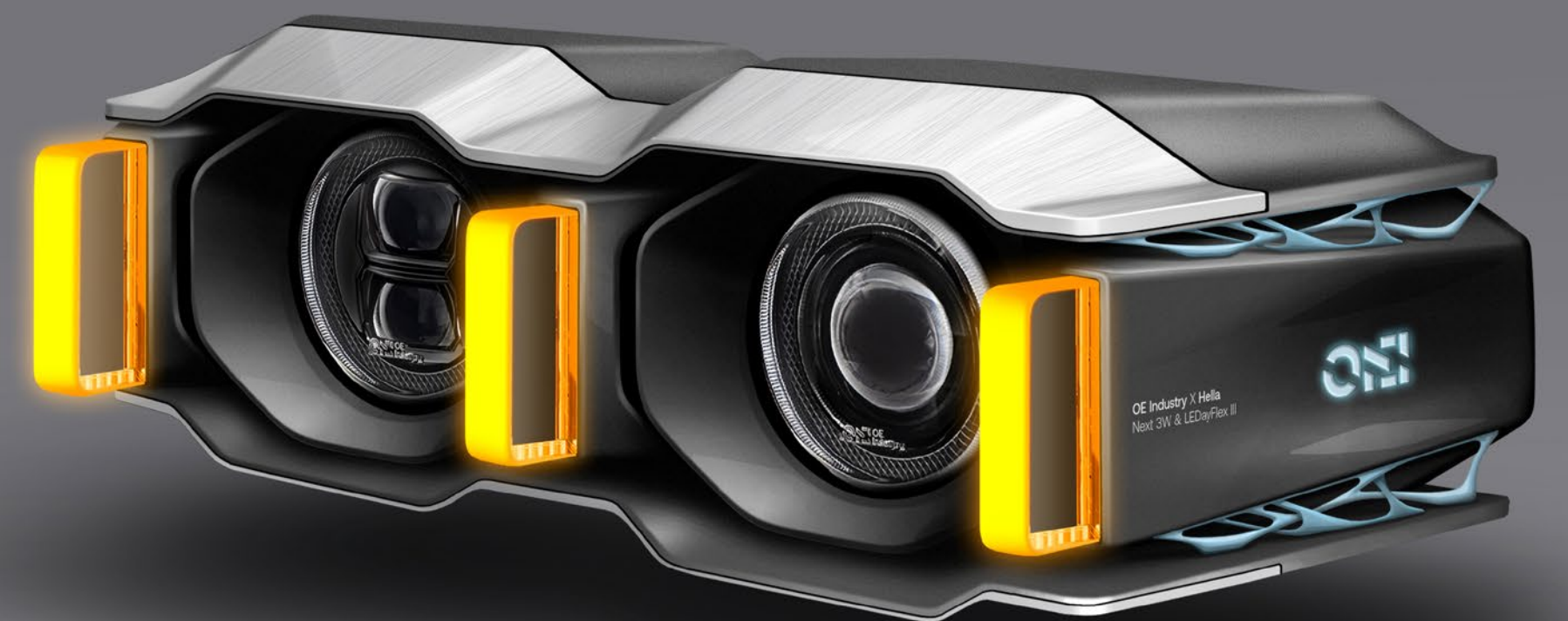
Success designed with engineering precision.

We implement technical solutions right from the design phase. We have created our own implementation and development department. Because when you want to create products that change standards, you need to know where the industry will be in a year and in five years.

As a result, moving through the stages from initial concept to regular deliveries is even faster. In an atmosphere of awareness of your business goal and with full focus on your success.

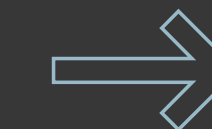
At OE Industry, we make you feel confident and secure from the first day we work together. Your goals and wishes are also ours.

OE Industry will ensure your success. Better than you expect.



Product





OEI AX_Series :

One system, a diversity of functions

Ergonomics and optics – this is the heart of what we do. OEI designers are aware of how the smallest details and composition affect the visual character of a vehicle. This sometimes requires the design to fit in with the minimum number of light points, and sometimes the opposite.

From standard headlights to multifunctional solutions. Both with a classic diameter of 90 mm, as well as in 70 mm or other irregular solids, to individual complex designs.

AX_Series – new headlight series. Simple and functional modules that will work for your vehicle. Elements that you can arrange freely – and create custom, surprising solutions.





Technical data





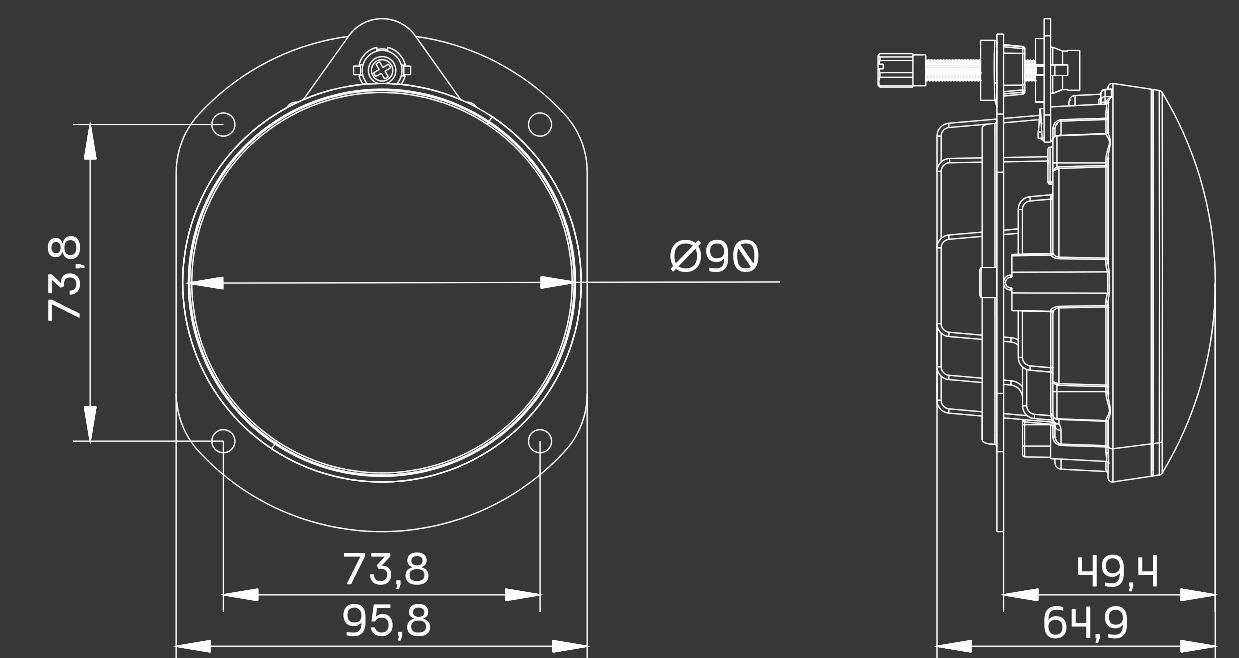
Functions : indicator, position light, DRL



Functions : fog light, indicator

OEI number	OEI182003745_D
Source of light	LED
Voltage	12/24V
Dimensions	Ø90 mm
Connection	Superseal
IP Rating	IP6K9K
Approvals	ECE R10, R148, R149

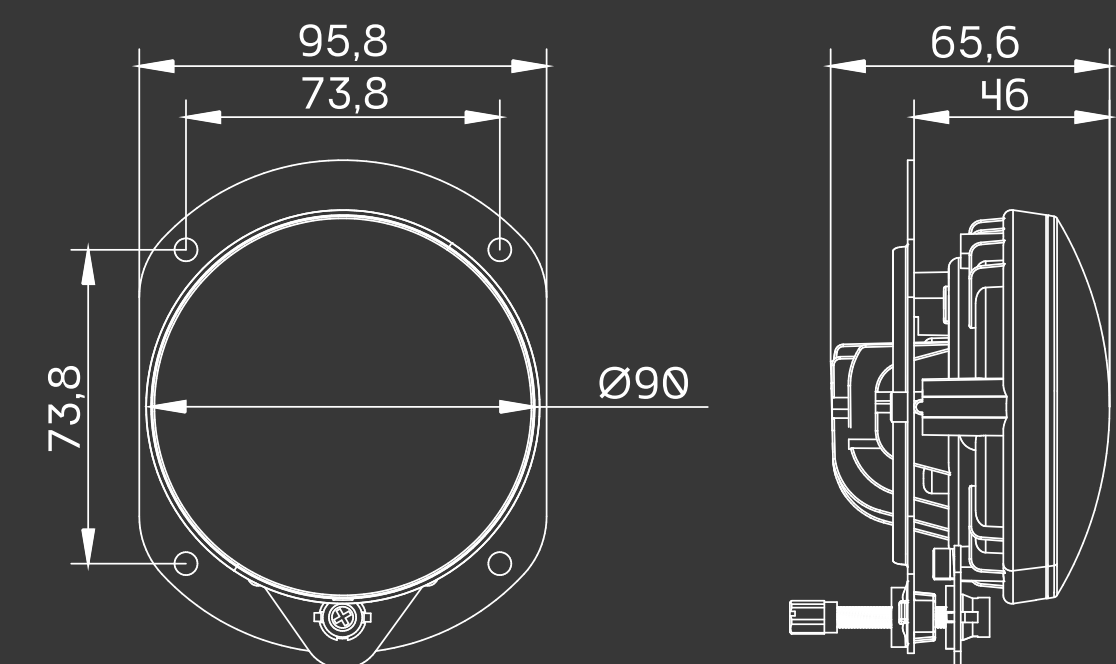
OEI number	OEI182003743_D
Source of light	LED
Voltage	12/24V
Dimensions	Ø90 mm
Connection	Superseal
IP Rating	IP6K9K
Approvals	ECE R10, R148, R149





OEI number	OEI132003109_D
Source of light	LED
Voltage	12/24V
Dimensions	Ø90 mm
Connection	Superseal
IP Rating	IP6K9K
Approvals	ECE R10, R19, R119

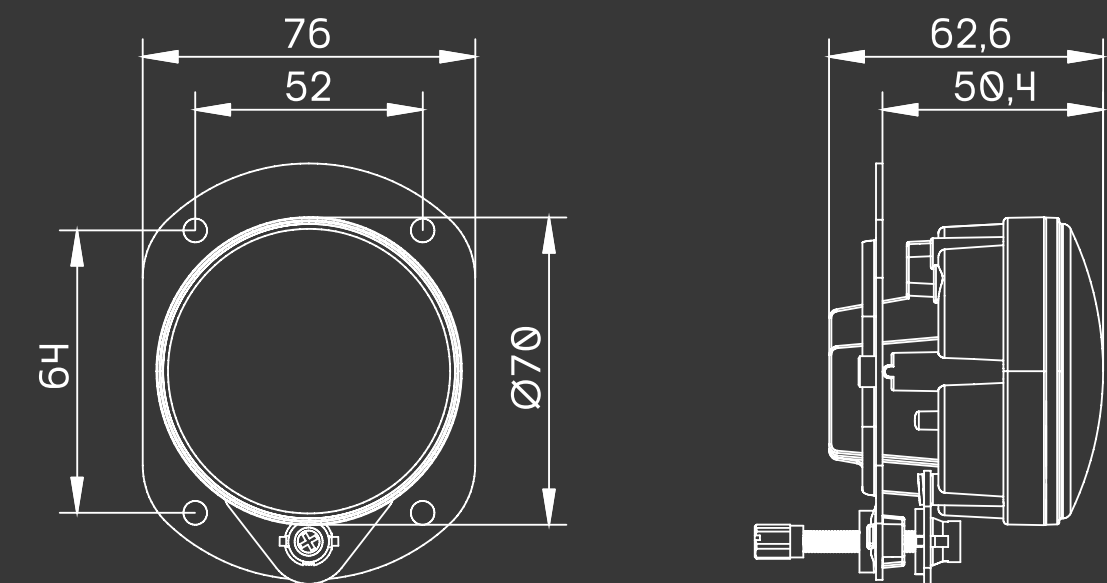
OEI number	OEI132003748_D
Source of light	LED
Voltage	12/24V
Dimensions	Ø90 mm
Connection	Superseal
IP Rating	IP6K9K
Approvals	ECE R10, R149





OEI number	OEI152003751_D
Source of light	LED
Voltage	12/24V
Dimensions	Ø70 mm
Connection	Superseal
IP Rating	IP6K9K
Approvals	ECE R10, R148

OEI number	OEI132003749_D
Source of light	LED
Voltage	12/24V
Dimensions	Ø70 mm
Connection	Superseal
IP Rating	IP6K9K
Approvals	ECE R10, R149





BI-LED HEADLIGHT
NEXT_5

OEI182003532

functions : low and high beam,
DRL, position light
dimensions : 5,75" (Ø144 mm)



BI-LED HEADLIGHT
NEXT_7

OEI182002914

functions : low and high beam,
DRL, position light
dimensions : 7" (Ø176 mm)



BI-LED HEADLIGHT
NEXT_HORIZON

OEI182003894_D

functions : low and high beam,
DRL, position light
dimensions : Ø90 mm



BI-LED HEADLIGHT
NEXT_HORIZON

OEI182003893_D

functions : low and high beam
dimensions : Ø90 mm



LED HEADLIGHT
NEXT_3W

OEI112003510_I

functions : low beam
dimensions : Ø90 mm



LED HEADLIGHT
NEXT_3W

OEI122003511_I

functions : high beam
dimensions : Ø90 mm



Let's talk!

OE Industry

Marcika 6 street
30-443 Cracow

biuro@oeindustry.com
+48 12 442 00 05

www.oeindustry.com

